

# Prestige Collection

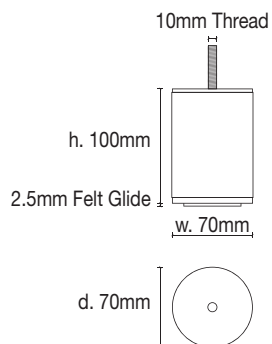
## Bravo A270PAC

Brushed Aluminium

10mm Metric Thread and T-Nut supplied

Floor Glide Fitted

H:100 x W:70 x D:70



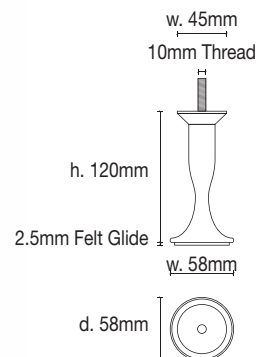
## Circo ACULUCI

Chrome Plated

10mm Metric Thread and T-Nut supplied

Floor Glide Fitted

H:120 x W:58 x D:58



## Cuban 877SATI

Brushed Aluminium

Pre-Drilled Mounting Holes

Floor Glide Fitted

H:100 x W:80 x D:80



## Deco Z77SATI

Brushed Stainless with Timber Insert

Pre-Drilled Mounting Holes

Floor Glides Fitted

H:40 x W:110 x D:110



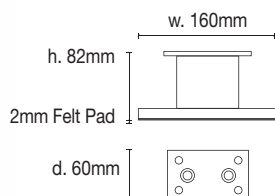
## Empire ELSSATI

Brushed Aluminium

Pre-Drilled Mounting Holes

Floor Glide Fitted

H:82 W:160 x D:60



## Icon

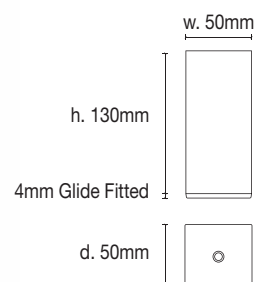
Brushed Aluminium MZMSATI

Polished Aluminium PHBPOLI

10mm Metric Thread and T-Nut supplied

Floor Glide Fitted

H:130 x W:50 x D:50



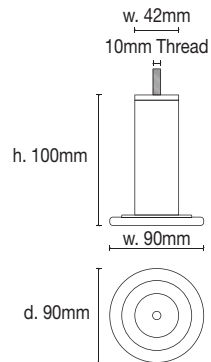
### Marvo MVOPOLI

Chrome Plated

10mm Metric Thread and T-Nut supplied

Floor Glide Fitted

H:100 x W:90 x D:90



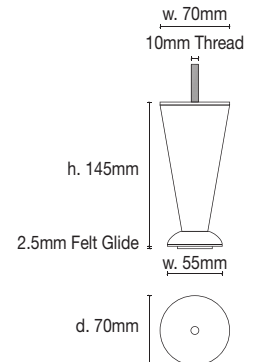
### Matera AMTOPAC

Brushed Aluminium

10mm Metric Thread and T-Nut supplied

Floor Glide Fitted

H:145 x W:70 x D:70



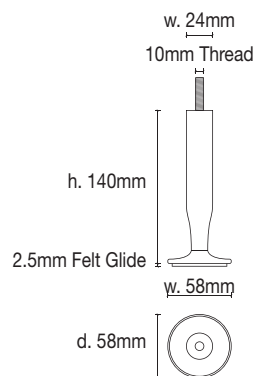
### Max AXMLUCI

Chrome Plated

10mm Metric Thread and T-Nut supplied

Floor Glide Fitted

H:140 x W:58 x D:58



### Paramount

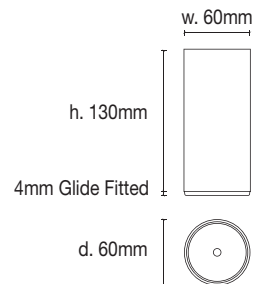
Brushed Aluminium RTRSATI

Polished Aluminium TPDPOLI

10mm Metric Thread and T-Nut supplied

Floor Glide Fitted

H:130 x W:60 x D:60

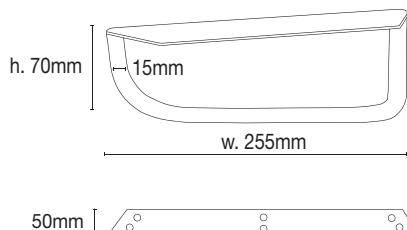


### Paris PSPPOLI

Chrome Plated

Pre-Drilled Mounting Holes

H:70 x W:255 x D:255



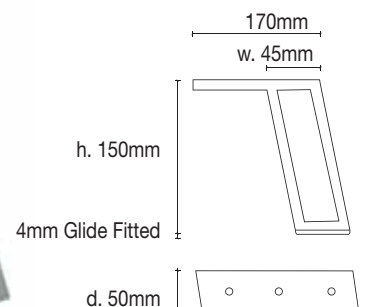
### Pellegrini ZEEPOLI

Raw Beech with Polished Aluminium

Pre-Drilled Mounting Holes

Floor Glide Fitted

H:150 x W:45 x D:50



# Prestige Collection

## Plateau

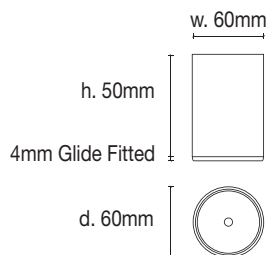
Brushed Aluminium **BSLSATI**

Polished Aluminium **LGPPOLI**

10mm Metric Thread and T-Nut supplied

Floor Glide Fitted

H:50 x W:60 x D:60



## Rivoli

**RLPPOLI**

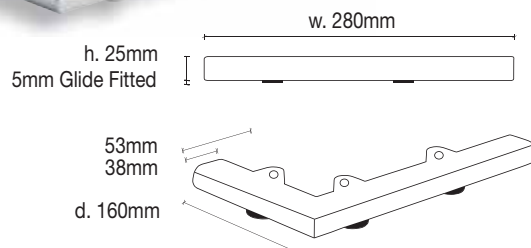
Chrome Plated

Pre-Drilled Mounting Holes

Floor Glide Fitted

H:25 x W:280 x D:160

Note: Rivoli legs are packed and supplied as Right and Left hand and only available in pairs. Left hand leg illustrated below.



## Status

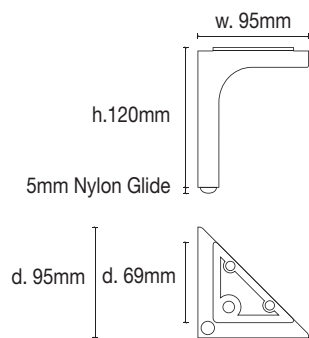
**C17SATI**

Brushed Aluminium

Pre-Drilled Mounting Holes

Floor Glide Fitted

H:120 x W:95 x D:95



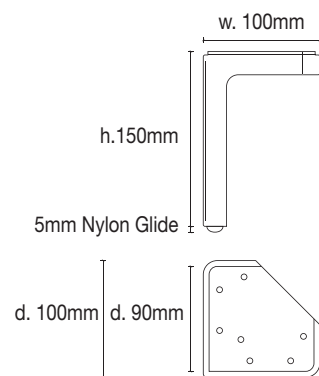
## Stiletto - 150

Chrome Plated

Pre-Drilled Mounting Holes

Floor Glide Fitted

H:150 x W:100 x D:100



## Stiletto - 170

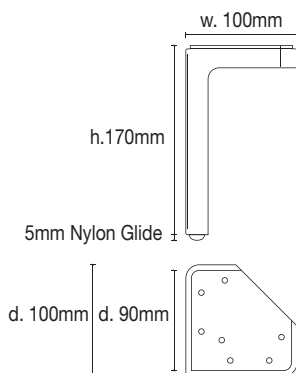
**C87POLI**

Chrome Plated

Pre-Drilled Mounting Holes

Floor Glide Fitted

H:170 x W:100 x D:100



## Stiletto - 190

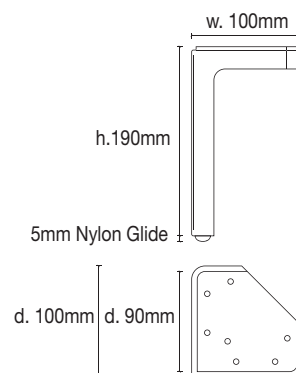
**C98POLI**

Chrome Plated

Pre-Drilled Mounting Holes

Floor Glide Fitted

H:190 x W:100 x D:100



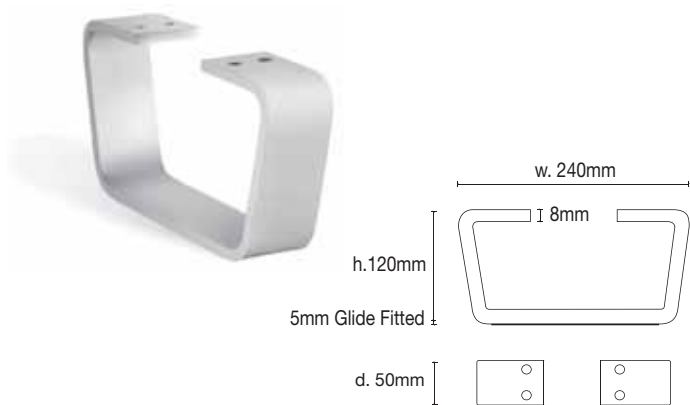
## Tribeca TLSSATI

Brushed Aluminium

Pre-Drilled Mounting Holes

Floor Glide Fitted

H:120 x W:240 x D:50



## Ultimate

Brushed Aluminium MKMSATI

Polished Aluminium MHEPOLI

10mm Metric Thread and T-Nut supplied

Floor Glide Fitted

H:50 x W:50 x D:50



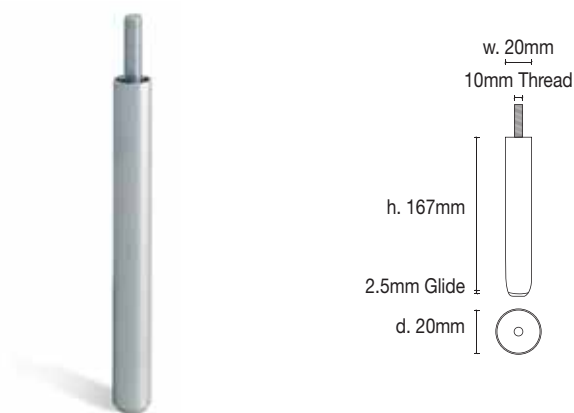
## Vespa

Brushed Aluminium

10mm Metric Thread and T-Nut supplied

Floor Glide Fitted

H:167 x W:20 x D:20



10mm Metric Thread and T-Nut supplied

Floor Glide Fitted

H:130 x W:85 x D:60



## Croc-Loc JIOBRAC

A great innovation to lock modular lounges firmly in place. Simply attach and align the respective components to the underside of the lounges with suitable fixing screws. The Croc-Loc™ has powerful sprung jaws that firmly locate to prevent your furniture from yawning apart. This simple yet effective item is great in reducing scratched floors from slipping furniture. Swing tags available on request.



\*Croc-Loc shown here upside down for illustration purposes.

# Promotional Collection

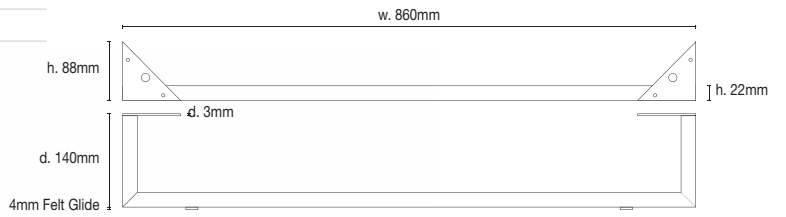
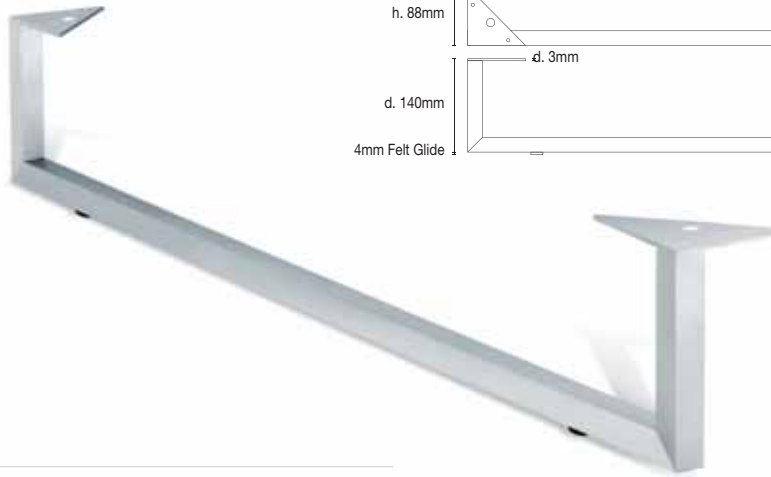
## Annette AMSSATI

Satin Stainless Steel

Pre-Drilled Mounting Holes

Floor Glides Fitted

H:140 x W:860 x D:88



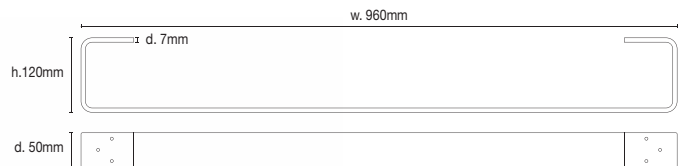
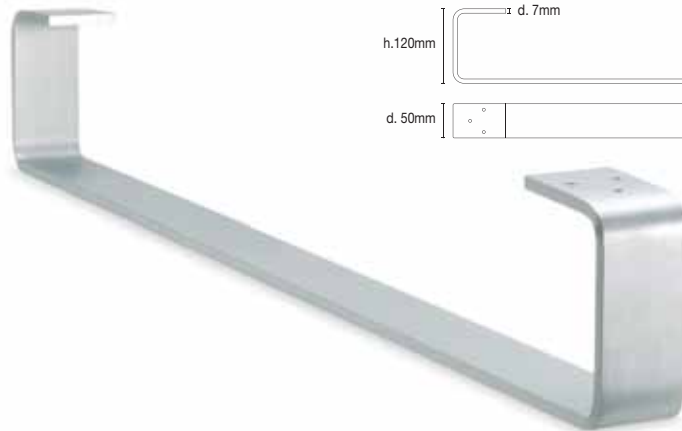
## Arizona AZASATI

Brushed Solid Aluminium

Pre-Drilled Mounting Holes

Floor Glides Fitted

H:120 x W:960 x D:50



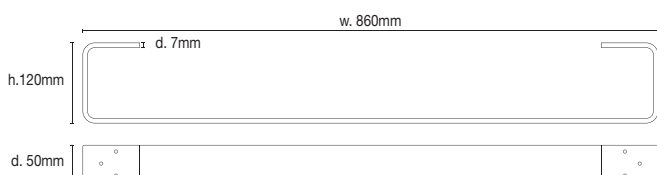
## Ariz AZRSATI

Brushed Solid Aluminium

Pre-Drilled Mounting Holes

Floor Glides Fitted

H:120 x W:860 x D:50



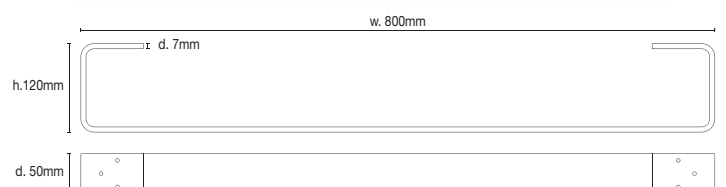
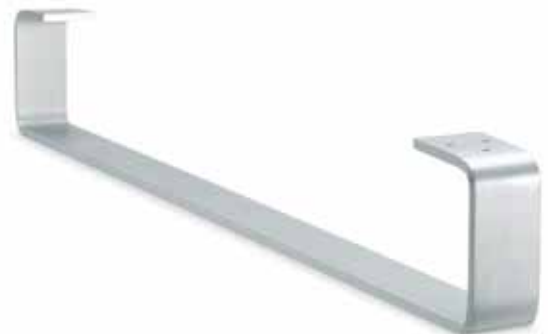
## Ario ALSSATI

Brushed Solid Aluminium

Pre-Drilled Mounting Holes

Floor Glides Fitted

H:120 x W:800 x D:50



# Promotional Collection

## Ali AEPPOLI

Chrome Plated

Pre-Drilled Mounting Holes

Floor Glide Fitted

H:120 x W:95 x D:95



## Belinda BNBSATI

Brushed Aluminium

Pre-Drilled Mounting Holes

Floor Glide Fitted

H:60 x W:65 x D:65



## Borsari BSRSATI

Brushed Aluminium

Pre-Drilled Mounting Holes

Floor Glide Fitted

H:150 x W:95 x D:95



## Boston 2P2POLI

Chrome Plated

Pre-Drilled Mounting Holes

Floor Glide Fitted

H:100 x W:100 x D:100



## Bridget

Brushed Aluminium BBISATI

Polished Aluminium BBIPOLI

Pre-Drilled Mounting Holes

Floor Glide Fitted

H:105 x W:90 x D:90



## Brooke BGKSATI

Brushed Aluminium

Pre-Drilled Mounting Holes

Floor Glide Fitted

H:105 x W:65 x D:65



**Carlos** CGRSATI  
Brushed Aluminium

Pre-Drilled Mounting Holes

Floor Glides Fitted

H:55 x W:220 x D:37



**Classico** CSNSATI  
Brushed Aluminium

Pre-Drilled Mounting Holes

Floor Glides Fitted

H:130 x W:95 x D:95



**Quatro Collection**  
Legs: Ali Leg  
Chair: Quatro Red  
Sofa: Vector Charcoal  
Scatter Cushions: Quatro Red, Vertigo Red, Vector Red



# Promotional Collection

## Dianne DLPPOLI

Chrome Plated

Pre-Drilled Mounting Holes

Floor Glide Fitted

H:150 x W:95 x D:95



## Doriemus 090SATI

Brushed Aluminium

Pre-Drilled Mounting Holes

Floor Glide Fitted

H:145 x W:80 x D:80



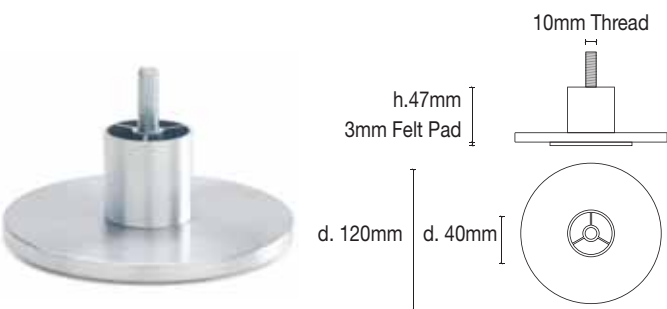
## Jen JLSSATI

Brushed Aluminium

10mm Metric Thread

Floor Glide Fitted

H:47 x W:120 x D:120



## Kyle KKYSATI

Brushed Aluminium

Pre-Drilled Mounting Holes

Floor Glides Fitted

H:115 x W:120 x D:80



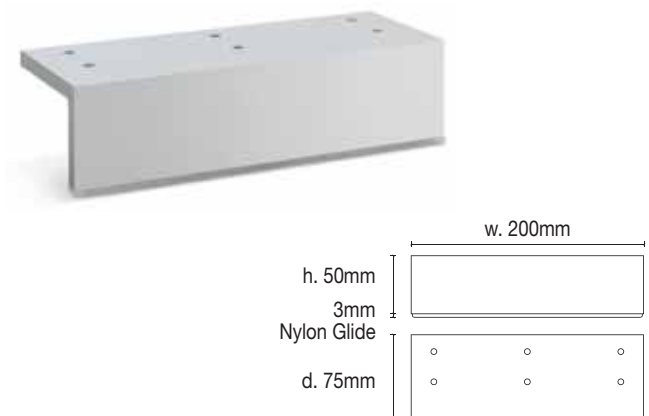
## Laser LSESATI

Brushed Aluminium

Pre-Drilled Mounting Holes

Floor Glide Fitted

H:50 x W:200 x D:75



## Lecco

Polished Aluminium

Pre-Drilled Mounting Holes

Floor Glide Fitted

Available in Widths 1050 LPPOLI, 1875 LCLPOLI, 2150 LCOPOLI

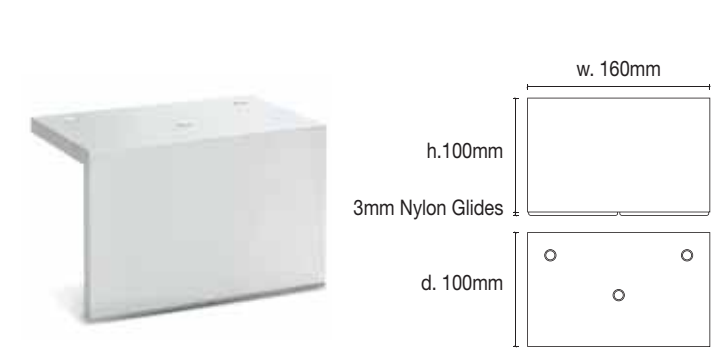
H:80 x D:80



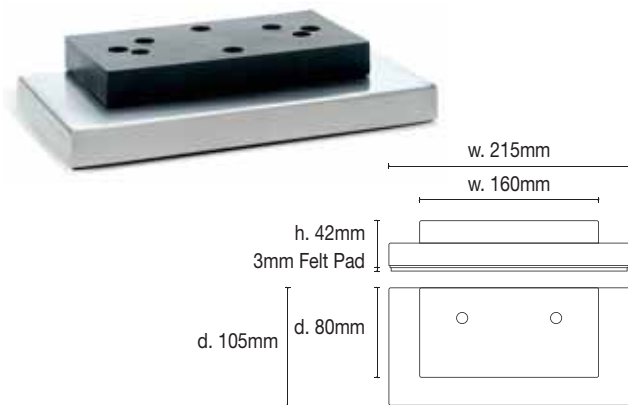
**Mondo** 37SSATI  
 Brushed Aluminium  
 10mm Metric Thread  
 Floor Glide Fitted  
 H:105 x W:80 x D:80



**Morro** MLMSATI  
 Brushed Aluminium  
 Pre-Drilled Mounting Holes  
 Floor Glides Fitted  
 H:100 x W:160 x D:100



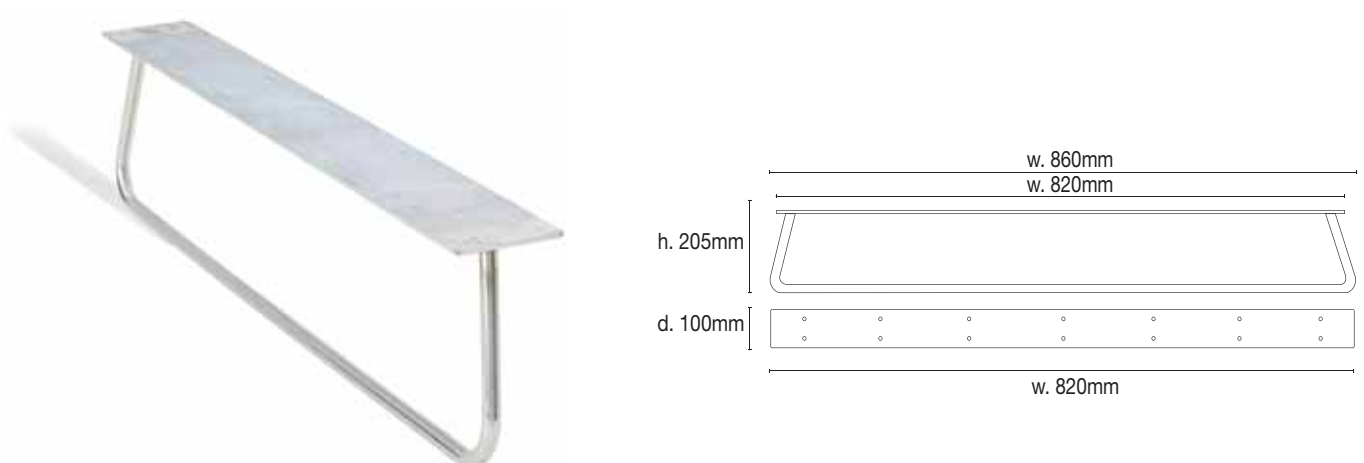
**Phantom** PLGPOLI  
 Semi-Polished Base  
 Pre-Drilled Mounting Holes  
 Floor Glide Fitted  
 H:42 x W:215 x D:105



**Pharlap** 081POLI  
 Chrome Plated  
 Pre-Drilled Mounting Holes  
 Floor Glide Fitted  
 H:95 x W:130 x D:50



**Rialto** RTPPOLI  
 Brushed Aluminium  
 Pre-Drilled Mounting Holes  
 Top Plate 100mm x 820mm  
 H:205 x W:860 x D:100



# Promotional Collection

## Sandra SJSSATI

Satin Finish Aluminium  
Pre-Drilled Mounting Holes  
Floor Glide Fitted  
H:105 x W:60 x D:60



## Silver Knight 080POLI

Chrome Plated  
Pre-Drilled Mounting Holes  
Floor Glide Fitted  
H:112 x W:100 x D:100



## Sunline 061POLI

Chrome Plated  
Pre-Drilled Mounting Holes  
Floor Glide Fitted  
H:95 x W:100 x D:100



## Vantage 023POLI

Chrome Plated  
Pre-Drilled Mounting Holes  
Floor Glide Fitted  
H:140 x W:55 x D:55



## Vegas 366SATI

Brushed Aluminium  
Pre-Drilled Mounting Hole  
Floor Glide Fitted  
H:95 x W:80 x D:80



## Zabeel 085POLI

Chrome Plated Steel **NB:** Top section with no cut-out for extra strength  
Pre-Drilled Mounting Holes  
Floor Glide Fitted  
H:110 x W:190 x D:70



# Classic Timber

All Classic Timber legs are made from Solid Rubberwood. This hardwood timber is selected for its environmental sustainability and offers long term strength and durability. \*Note: All polished legs are supplied in antique Mahogany colour.

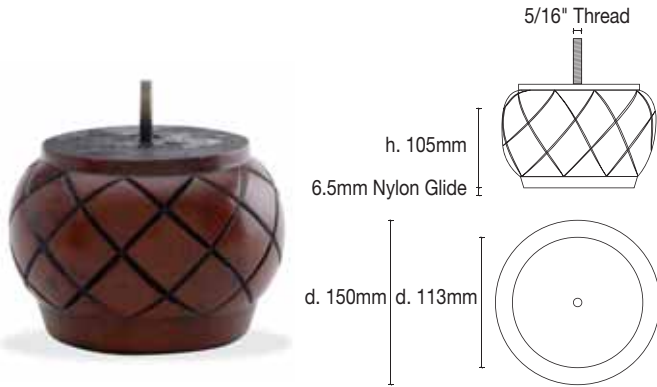
## Argyle WT8MAHO

Polished Hardwood Timber

5/16" Imperial Thread

Floor Glide Fitted

H:105 x W:150 x D:100



## Aristocrat WT9MAHO

Polished Hardwood Timber

5/16" Imperial Thread

Floor Glide Fitted

H:120 x W:100 x D:100



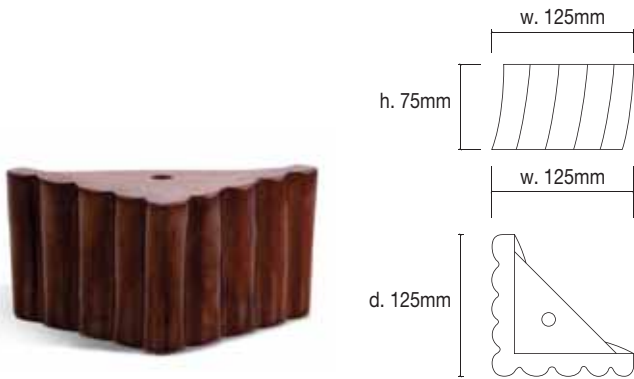
## Cargo CLGMAHO

Polished Hardwood Timber

Pre-Drilled Mounting Holes

Floor Glides Fitted

H:75 x W:125 x D:125



## Classic WT5MAHO

Polished Hardwood Timber

5/16" Imperial Thread

Floor Glide Fitted

H:115 x W:130 x D:130



## Club WM4MAHO

Polished Hardwood Timber

Pre-Drilled Mounting Holes

Floor Glides Fitted

H:75 x W:170 x D:170



## Duxton \*ORDER CODES

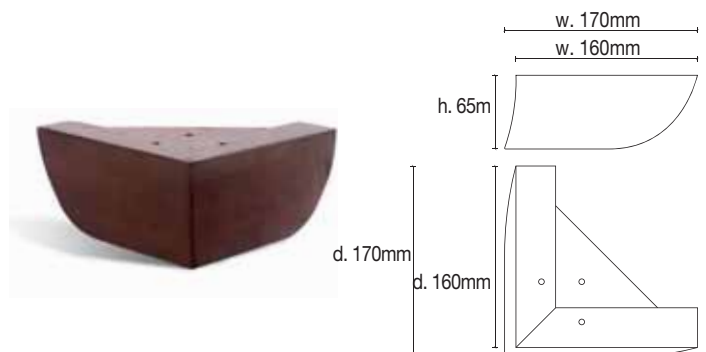
Polished Hardwood Timber \*WM1MAHO

Raw Finish Hardwood Timber \*WM1RAWW

Pre-Drilled Mounting Holes

Floor Glides Fitted

H:65 x W:170 x D:170



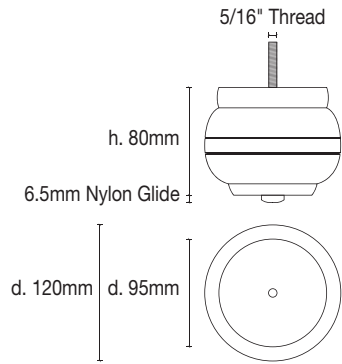
### Forum FMLMAHO

Polished Hardwood Timber

5/16" Imperial Thread

Floor Glide Fitted

H:80 x W:120 x D:120



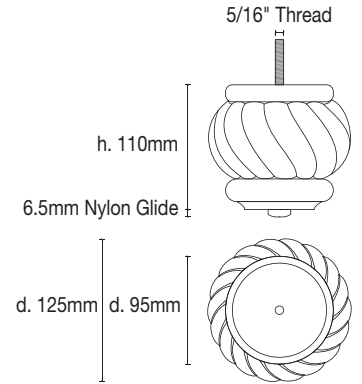
### Imperial WT4MAHO

Polished Hardwood Timber

5/16" Imperial Thread

Floor Glide Fitted

H:110 x W:125 x D:125



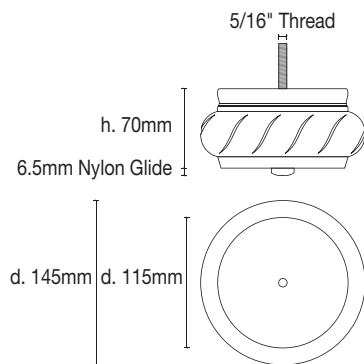
### Twirl WT3MAHO

Polished Hardwood Timber

5/16" Imperial Thread

Floor Glide Fitted

H:70 x W:145 x D:145



### Vintage \*ORDER CODES

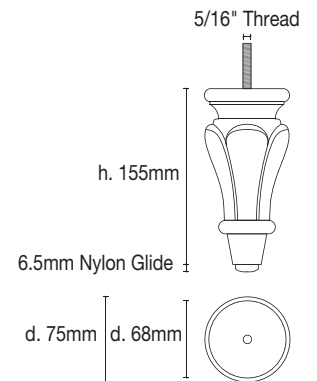
Polished Hardwood Timber \*WT7MAHO

Raw Finished Hardwood Timber \*WT6RAWW

5/16" Imperial Thread

Floor Glide Fitted

H:155 x W:75 x D:75



### Watson \*ORDER CODES

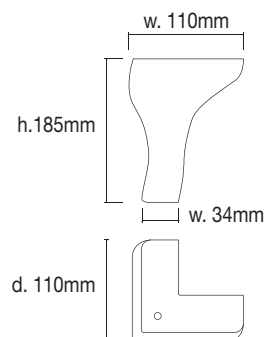
Polished Hardwood Timber \*CXWMAHO

Raw Finish Hardwood Timber \*CXWRAWW

Pre-Drilled Mounting Holes

Floor Glides Fitted

H:185 x W:110 x D:110



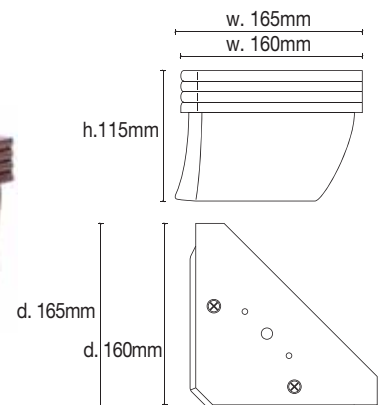
### Wedge WT0MAHO

Polished Hardwood Timber

Pre-Drilled Mounting Holes

Floor Glides Fitted

H:115 x W:165 x D:165



# Cabriole Legs

All Cabriole Timber legs are made from Solid Rubberwood. This hardwood timber is selected for its environmental sustainability and offers long term strength and durability. \*Note: All polished legs are supplied in Antique Mahogany colour or available in the raw where shown below.

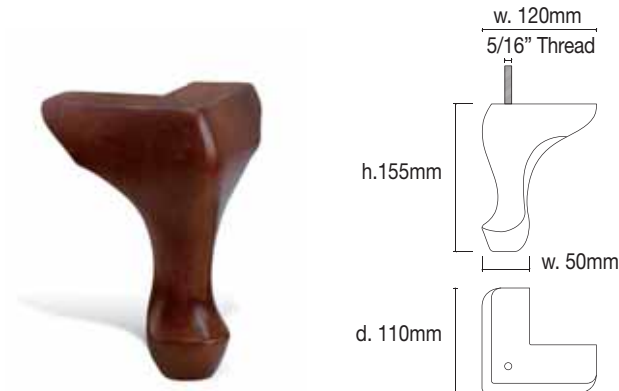
## Cabriole 155

Raw Finish Hardwood Timber CXLRAWW

Polished Hardwood Timber CXGMAHO

Pre-Drilled Mounting Holes

H:155 x W:120 x D:110



## Cabriole 210

Raw Finish Hardwood Timber CXRRRAWW

Polished Mahogany Timber CXNMAHO

Pre-Drilled Mounting Holes

H:205 x W:114 x D:114



## Cabriole 230

Raw Finish Hardwood Timber CXHRAWW

Polished Hardwood Timber CXMMAHO

Pre-Drilled Mounting Holes

H:230 x W:120 x D:110



## Cabriole Face Cut 230 CFCRAWW

Raw Finish Hardwood Timber

Pre-Drilled Mounting Holes

H:230 x W:170 x D:50

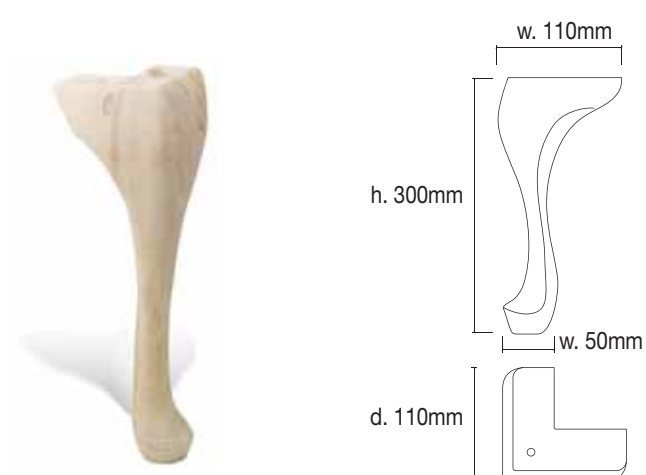


## Cabriole 300 CIRRAWW

Raw Finish Hardwood Timber

Pre-Drilled Mounting Holes

H:300 x W:110 x D:110



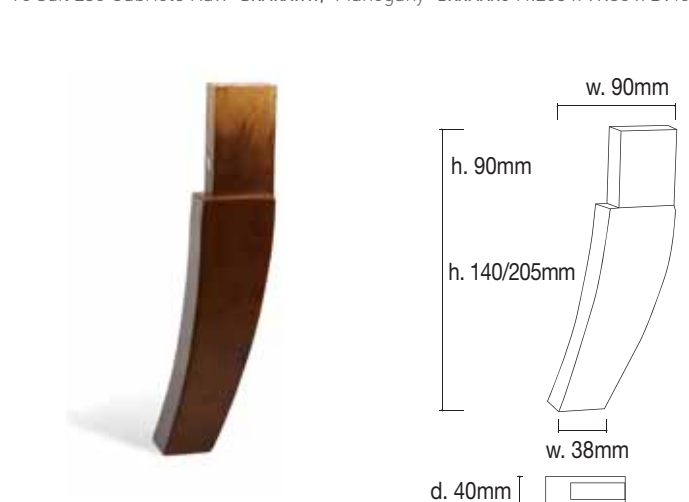
## Back Leg \*Order codes

Raw Finish and Polished Hardwood Timber

Pre-Drilled Mounting Holes

To suit 155 Cabriole Raw \*BKGRRAWW, Mahogany \*BKHMAHO H:140 x W:38 x D:40

To suit 230 Cabriole Raw \*BKMRAWW, Mahogany \*BKRMAHO H:205 x W:38 x D:40



# Castor & Cup

All castors are supplied with black wheel protectors (see page 26).

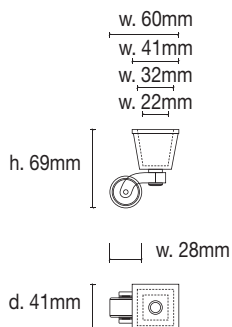
## 30mm Square - Brass BRJ3000

Solid Brass

30mm Top Opening

Solid Steel Castor Pin

H:69 x W:60 x D:41



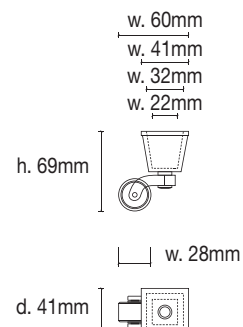
## 30mm Square - Chrome BHQ3200

Chrome Plated Brass

30mm Top Opening

Solid Steel Castor Pin

H:69 x W:60 x D:41



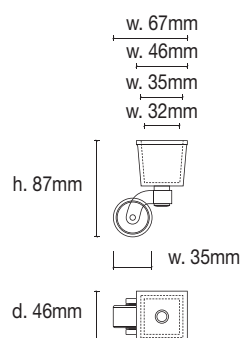
## 35mm Square - Brass BRQ3500

Solid Brass

35mm Top Opening

Solid Steel Castor Pin

H:87 x W:67 x D:46



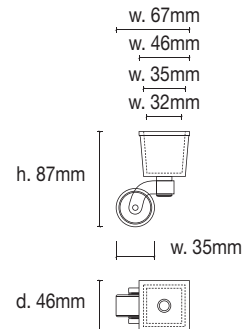
## 35mm Square - Chrome BHC3500

Chrome Plated Brass

35mm Top Opening

Solid Steel Castor Pin

H:87 x W:67 x D:46



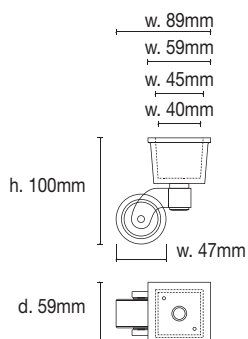
## 45mm Square - Brass BRE4500

Solid Brass

45mm Top Opening

Solid Steel Castor Pin

H:100 x W:89 x D:59



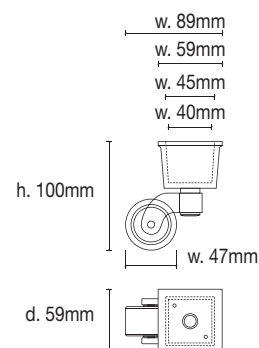
## 45mm Square - Chrome BRC4500

Chrome Plated Brass

45mm Top Opening

Solid Steel Castor Pin

H:100 x W:89 x D:59



# Castor & Cup

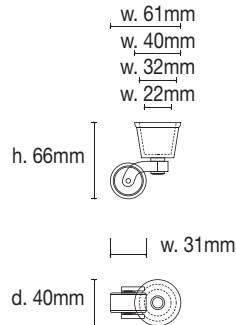
## 32mm Round - Brass BRH3200

Solid Brass

32mm Top Opening

Solid Steel Castor Pin

H:66 x W:61 x D:40



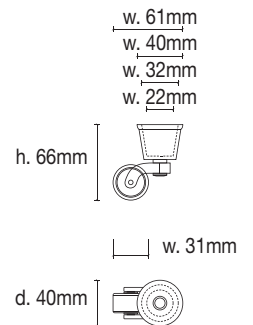
## 32mm Round - Chrome BCR3200

Chrome Plated Brass

32mm Top Opening

Solid Steel Castor Pin

H:66 x W:61 x D:40



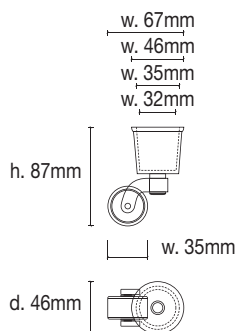
## 35mm Round - Brass BRT3500

Solid Brass

35mm Top Opening

Solid Steel Castor Pin

H:87 x W:67 x D:46



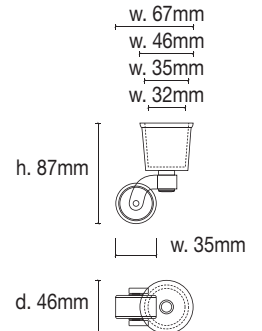
## 35mm Round - Chrome BHR3500

Chrome Plated Brass

35mm Top Opening

Solid Steel Castor Pin

H:87 x W:67 x D:46



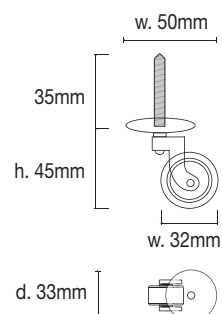
## Castor, Plate & Screw - Brass BSCBRAS

Solid Brass

33mm Base

Phillips Head Screw

H:40 x W:50 x D:33



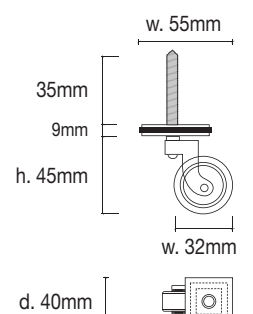
## Castor, Plate & Screw - Chrome CSCCHRO

Chrome Plated Brass

40mm Base and Plate

Phillips Head Screw

H:40 x W:55 x D:40



Supplied with plate but shown here with and without plate as option for fitting as per picture on page 26

# Classic Timber for Castor & Cup

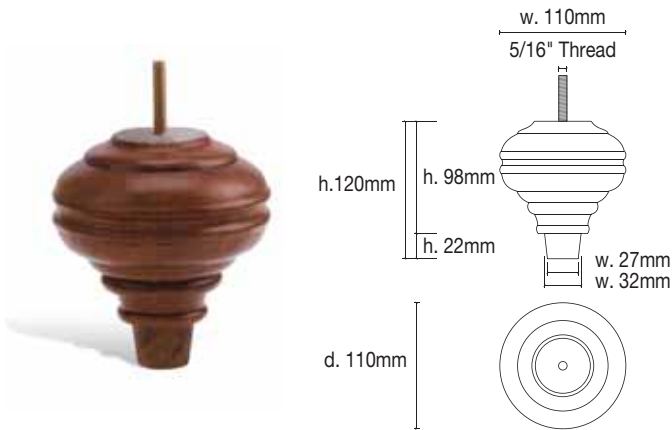
All Classic Timber legs are made from Solid Rubberwood. This hardwood timber is selected for its environmental sustainability and offers long term strength and durability. \*Note: All polished legs are polished in antique Mahogany colour. All castors are supplied in both Brass and Chrome finishes together with black wheel protectors (see page 26). Timber legs & castors to be ordered separately.

## Abbey ABLMAHO

Polished Hardwood Timber

Combines with 32mm Round Castor & Cup

H:120 x W:110 x D:110

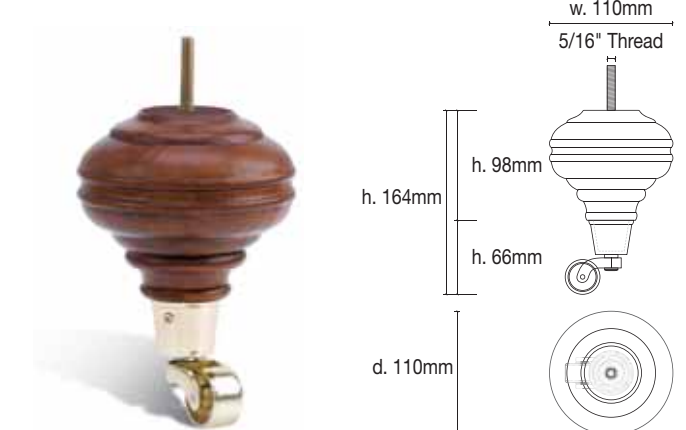


## Abbey\* CASTOR: BRH3200 / LEG: ABLMAHO

Polished Hardwood Timber

Combines with 32mm Brass Round Castor & Cup

H:164 x W:110 x D:110



## Ascot ASLMAHO

Polished Hardwood Timber

Combines with 32mm Round Castor & Cup

H:115 x W:72 x D:72

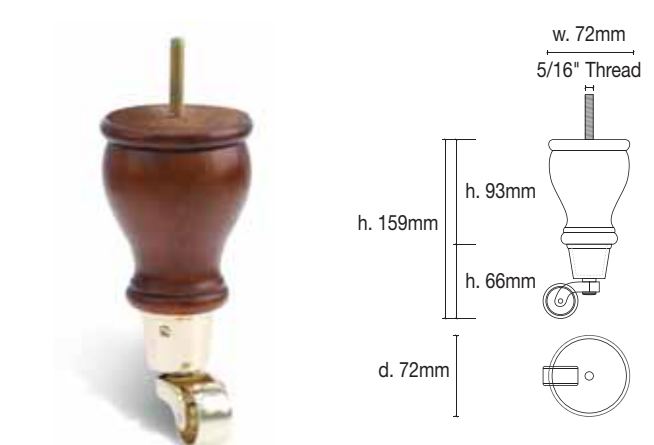


## Ascot\* CASTOR: BRH3200 / LEG: ASLMAHO

Polished Hardwood Timber

Combines with 32mm Brass Round Castor & Cup

H:159 x W:72 x D:72

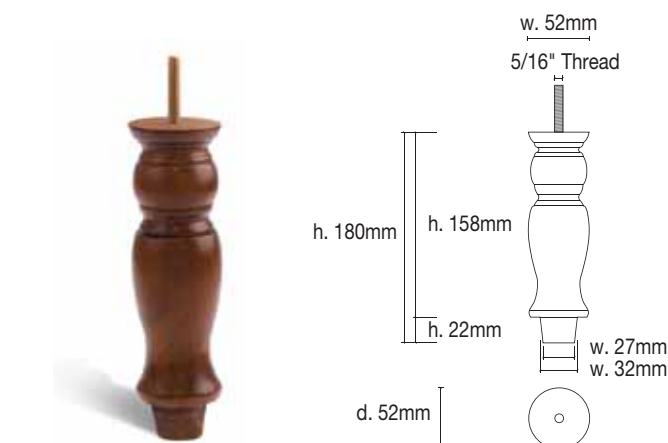


## Cotswold CTLMAHO

Polished Hardwood Timber

Combines with 32mm Round Castor & Cup

H:180 x W:52 x D:52



## Cotswold\* CASTOR: BRH3200 / LEG: CTLMAHO

Polished Hardwood Timber

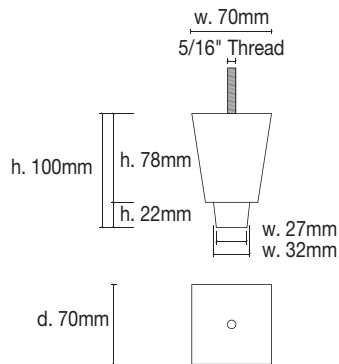
Combines with 32mm Brass Round Castor & Cup

H:224 x W:52 x D:52



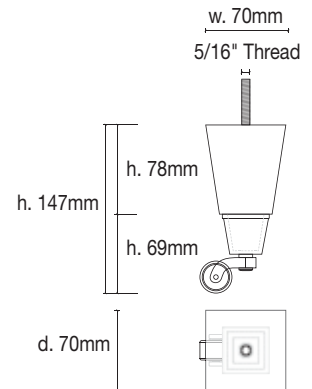
**Arundel** ANLMAHO  
Polished Hardwood Timber

Combines with 30mm Square Castor & Cup  
H:100 x W:70 x D:70



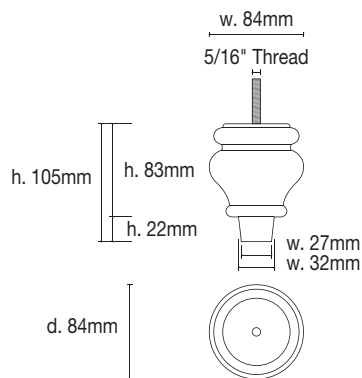
**Arundel\*** CASTOR: BRJ3000 / LEG: ANLMAHO  
Polished Hardwood Timber

Combines with 30mm Brass Square Castor & Cup  
H:147 x W:70 x D:70



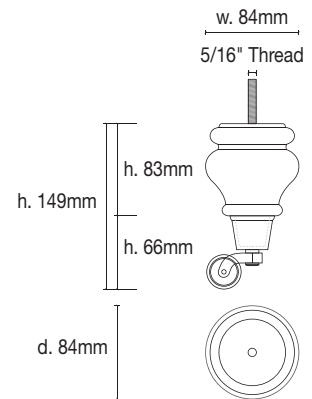
**Coleridge** CDLMAHO  
Polished Hardwood Timber

Combines with 32mm Round Castor & Cup  
H:105 x W:84 x D:84



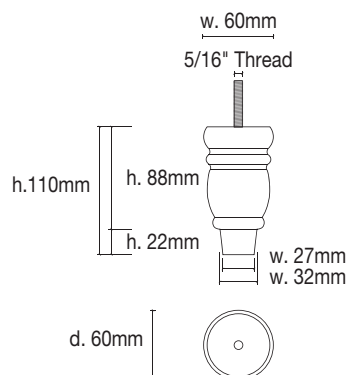
**Coleridge\*** CASTOR: BRH3200 / LEG: CDLMAHO  
Polished Hardwood Timber

Combines with 32mm Brass Round Castor & Cup  
H:149 x W:84x D:84



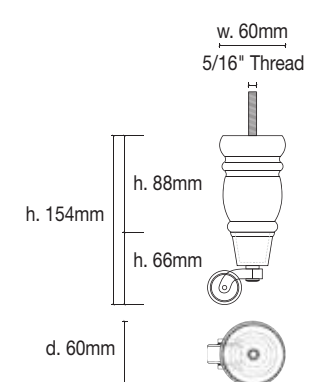
**Winchester** WNMAHO  
Polished Hardwood Timber

Combines with 32mm Round Castor & Cup  
H:110 x W:60 x D:60



**Winchester\*** CASTOR: BRH3200 / LEG: WNMAHO  
Polished Hardwood Timber

Combines with 32mm Brass Round Castor & Cup  
H:154 x W:60 x D:60



# Classic Timber for Castor & Cup

All Classic Timber legs are made from Solid Rubberwood. This hardwood timber is selected for its environmental sustainability and offers long term strength and durability. \*Note: All polished legs are polished in antique Mahogany colour. All castors are supplied in both Brass and Chrome finishes together with black wheel protectors (see below).

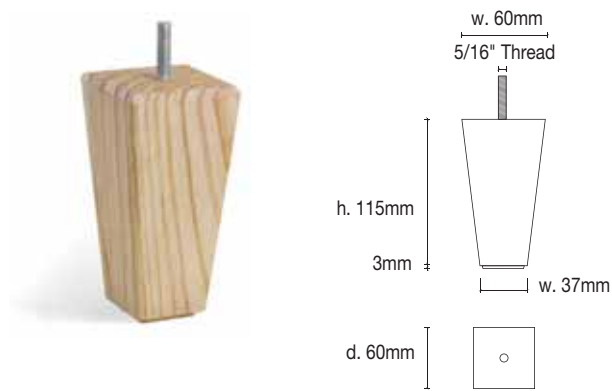
## Winbrook\* \*Order codes

Polished Solid Hardwood Timber \*WLMMHAO

Raw Finish Hardwood Timber \*WNBRAWW

Combines with Castor, Plate and Screw

H:115 x W:60 x D:60



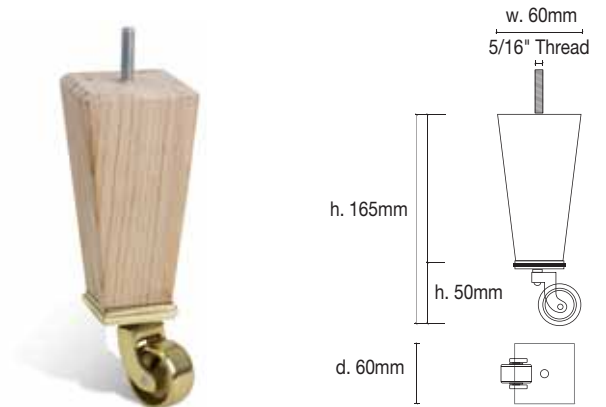
## Winbrook\*

CASTOR: BSCBRAS / LEG: WNBRAWW

Polished Hardwood Timber

Combines with Castor, Plate and Screw Brass

H:165 x W:60 x D:60



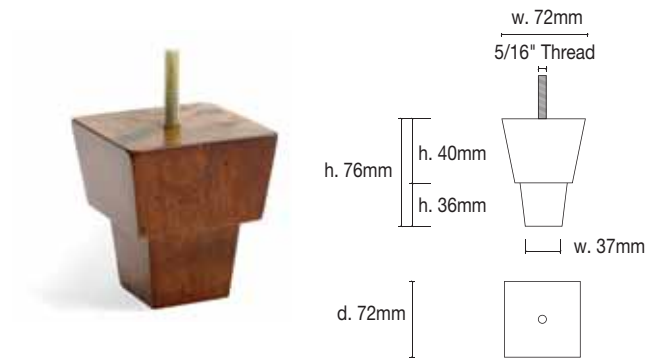
## Winston

LEG: ASFMAHO

Polished Solid Hardwood Timber

Combines with 45mm Square Castor and Cup

H:115 x W:72 x D:72



## Winston\*

CASTOR: BRE4500 / LEG: ASFMAHO

Polished Solid Hardwood Timber

Combined with 45mm Brass Square Castor and Cup

H:115 x W:72 x D:72



All Castors are supplied with black nylon 'non scuff' wheel protectors.



Castor plate and screw for use on custom legs with or without plate as required (see front and back leg comparison in picture).